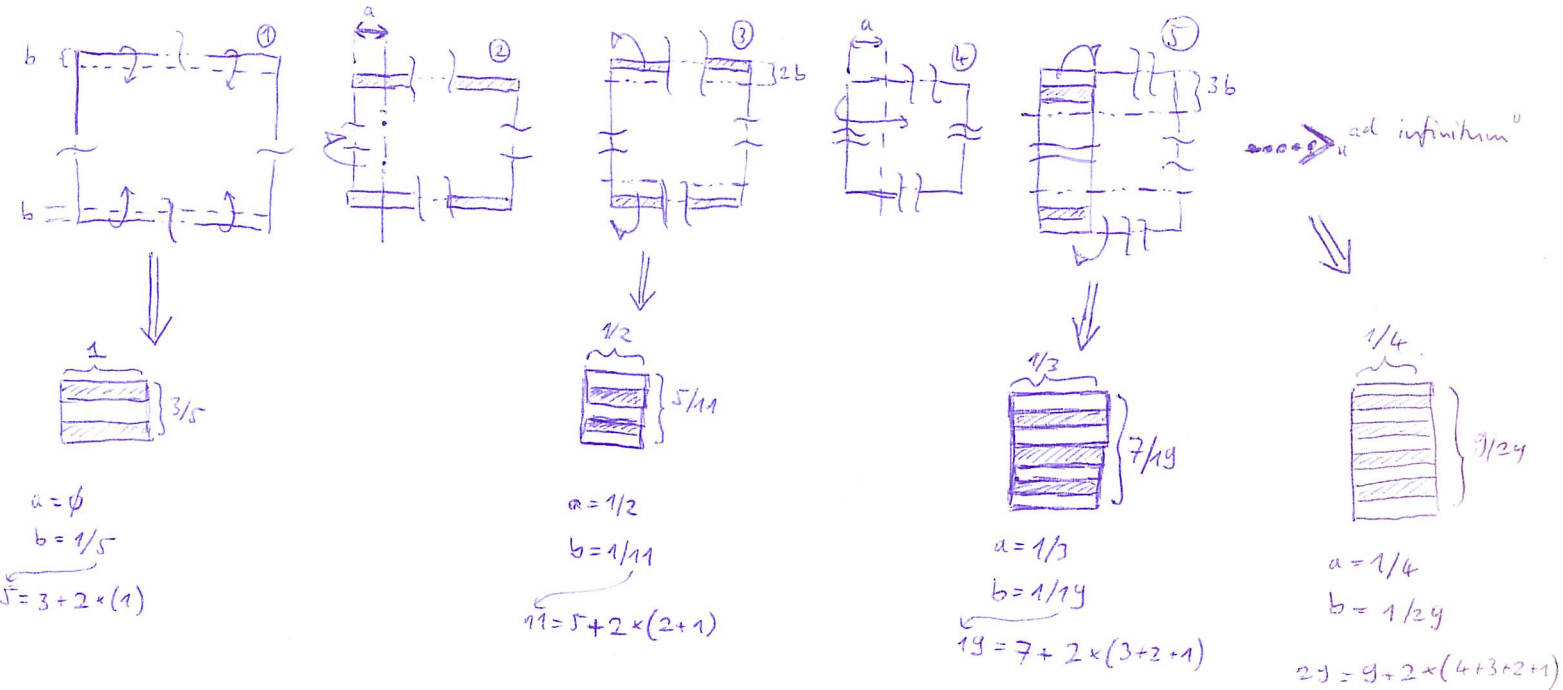
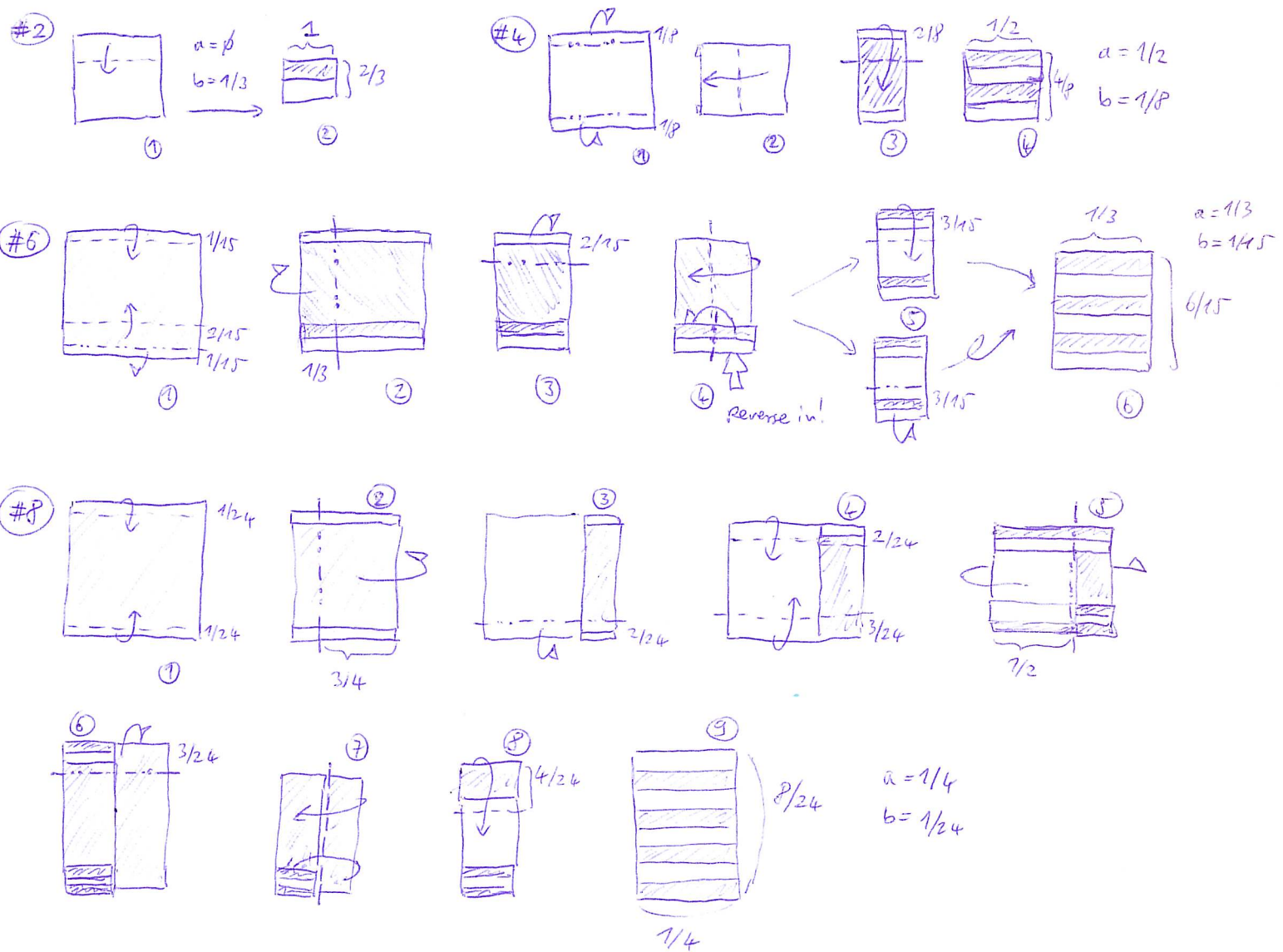


A "GENERIC" WAY TO FOLD STRIPES

ODD NUMBERS:



EVEN NUMBERS:



$$\text{EVEN} \approx \text{HALF ODD}_1(2n+1) + \text{HALF ODD}_2(2n-1)$$

$$(2n)$$

Peter Buda
2005. Sept.